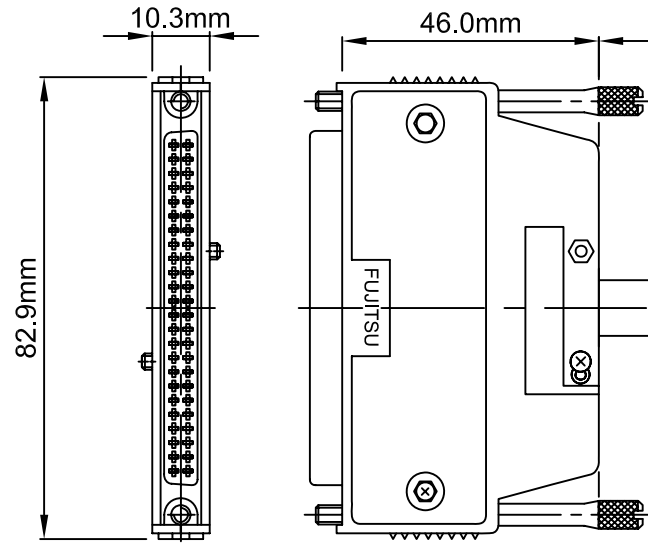
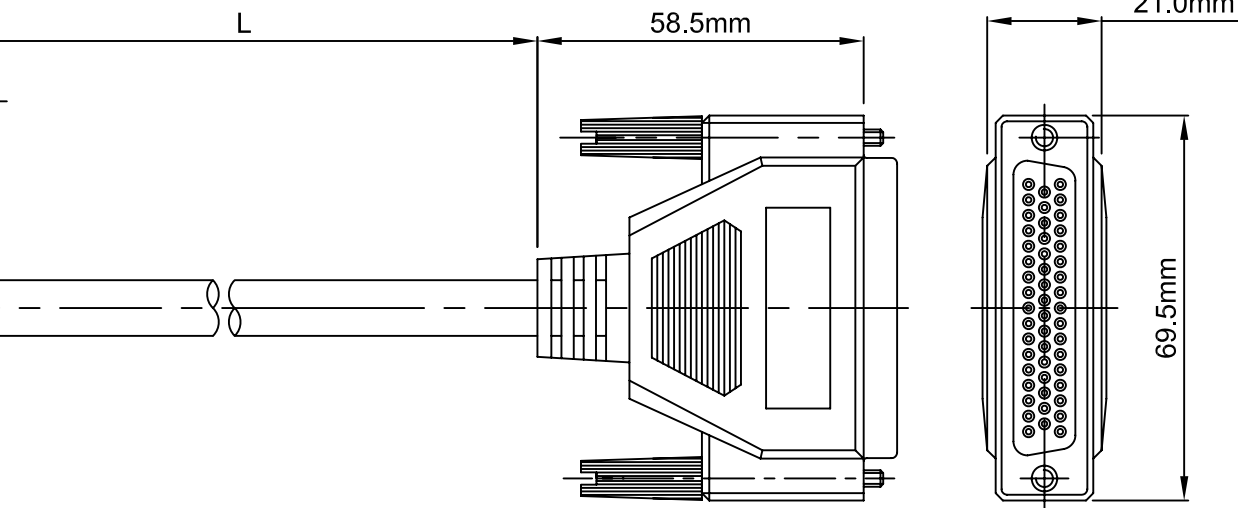


YASKAWA MODULE SIDE



CABLE SPECIFICATION (mm)	
OUTER DIAMETER	8.5 +/- 0.1mm
BENDING RADIUS	6 x O.D. MINIMUM 15 x O.D. FOR LONG TERM RELIABILITY

TERMINAL BLOCK SIDE



TERMINAL BLOCK & CABLE KIT ITEM #s

ITEM#	DESCRIPTION	L = LENGTH (mm)
CBK-U-MP2A-A5	I/O CABLE W/TERMINAL BLOCK, L= 0.5 M	500 +/- 38.1
CBK-U-MP2A-01	I/O CABLE W/TERMINAL BLOCK, L= 1 M	1000 +/- 38.1
CBK-U-MP2A-03	I/O CABLE W/TERMINAL BLOCK, L= 3 M	3000 +/- 38.1

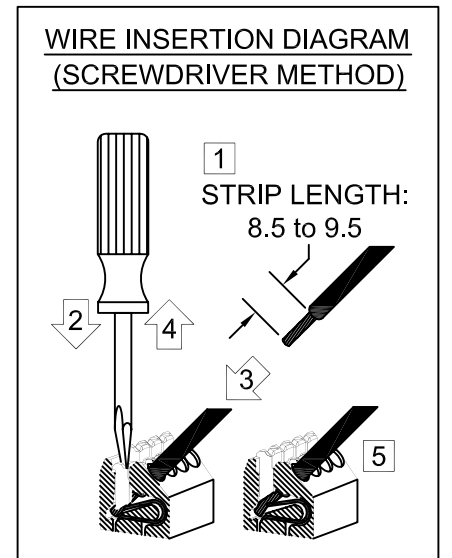
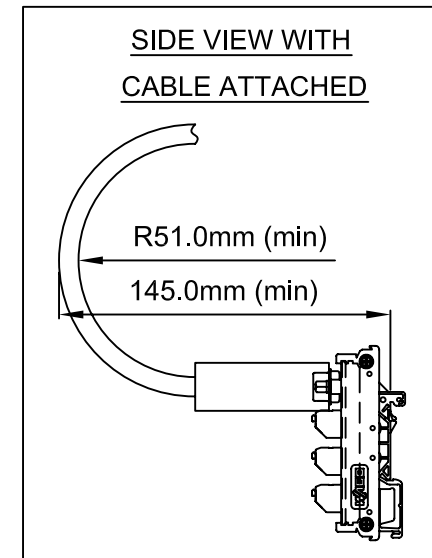
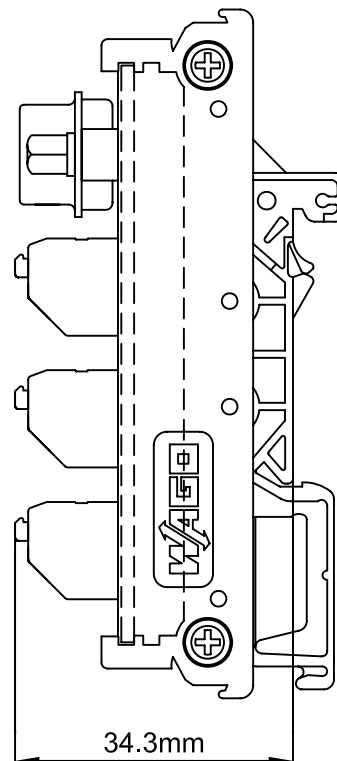
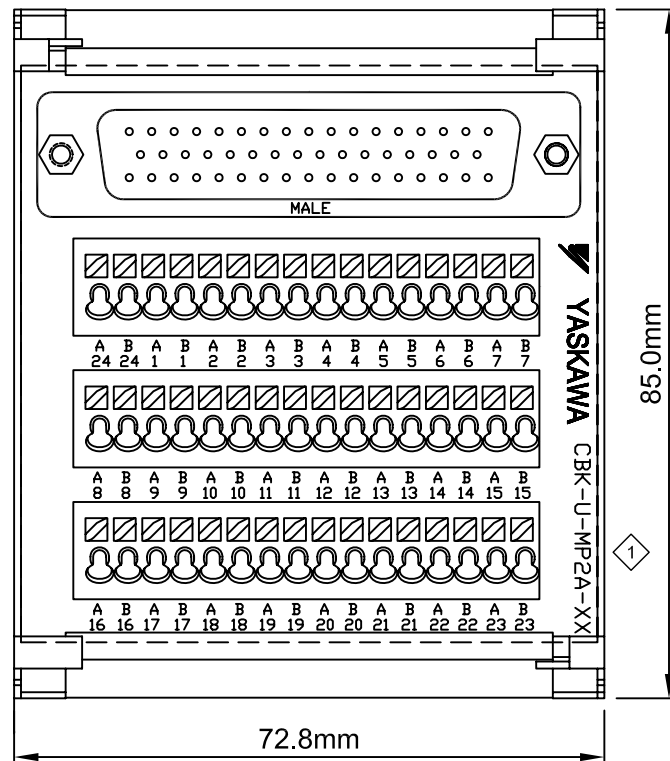
KIT BILL OF MATERIALS

	DESCRIPTION	QTY
1	CABLE	1
2	TERMINAL BLOCK	1
3	YASKAWA INSTRUCTION SHEET (UDA00675)	1

NOTES:

- 1) TERMINAL BLOCK WIRE STRIP LENGTH = 8.5 TO 9.5mm
- 2) TERMINAL BLOCK WIRE SIZE = 16AWG - 24AWG SOLID OR STRANDED.
- 3) SOLID WIRES AND WIRES WITH FERRULES CAN BE INSERTED DIRECTLY INTO THE TERMINALS WITHOUT THE NEED TO ACTUATE THE TERMINAL BUTTON.
- 4) FOR STRANDED WIRES THE TERMINAL BUTTON MUST BE ACTUATED WITH A 1/8" WIDE FLAT BLADE SCREWDRIVER OR WITH A WAGO OPERATING TOOL (210-719, 210-720, OR 250-657).
- 5) TERMINAL BLOCK MOUNTS TO DIN 35 RAIL.
- 6) TERMINAL BUTTON ACTUATION FORCE = BETWEEN 3 lbf AND 8 lbf FOR THE SPRING TO BE FULLY ACTUATED.

WARNING - DAMAGE MAY OCCUR IF MORE THAN 40 lbf IS APPLIED TO THE TERMINAL BUTTON.



SEE OPPOSITE SIDE FOR CBK-U-MP2A-xx FUNCTIONALITY INFORMATION

REV	DESCRIPTION	EC #	DRAWN BY	DATE
1	UPDATE TB SILKSCREEN; REDRAWN	2548	Sonderman	6/9/10
0	INITIAL RELEASE	2010-570	-	-

MATERIAL: N/A	TOLERANCES / REFERENCES: UNLESS OTHERWISE SPECIFIED
SPEC: N/A	
FINISH: N/A	
MODEL(S): SEE CHART	
REF DWG(S): UDA00452 (0)	UNITS: mm SCALE: NTS

YASKAWA

THIS DOCUMENT AND INFORMATION CONTAINED IN IT ARE CONFIDENTIAL, AND CANNOT BE COPIED OR DISCLOSED IN WHOLE OR IN PART WITHOUT THE EXPRESS WRITTEN CONSENT OF YASKAWA AMERICA INC.

DRAWN: E. SONDERMAN	DATE 5/14/10	TITLE: CBK-U-MP2A-xx TERMINAL BLOCK & CABLE KIT INSTRUCTIONS
CHECKED: C. KINTNER	DATE 5/26/10	ITEM #: SEE CHART
TECH: N. HOUCK	DATE 5/25/10	SIZE B
APPROVED: M. MORAN	DATE 5/26/10	PAGE 1 of 2
ORIGINAL DESIGN: -	DATE -	DRAWING #: UDA00675


CBK-U-MP2A-xx FUNCTIONALITY CHART:

LIO-01 (JAPMC-IO2300) / LIO-02 (JAPMC-IO2301)		
Pin Number	Signal	Function
A1	PA	Phase-A pulse (+)
B1	PAL	Phase-A pulse (-)
A2	PB	Phase-B pulse (+)
B2	PBL	Phase-B pulse (-)
A3	PC	Phase-C latch pulse (+)
B3	PCL5	Phase-C latch pulse (-) for 5vdc input
A4	GND	Encoder input ground
B4	PCL12	Phase-C latch pulse (-) for 12vdc input
A5	DO_COM	Output 0V common
B5	DO_COM	Output 0V common
A6	DO_24V	Digital output +24V supply
B6	DO_24V	Digital output +24V supply
A7	DO_15	Output 15
B7	DO_14	Output 14
A8	DO_13	Output 13
B8	DO_12	Output 12
A9	DO_11	Output 11
B9	DO_10	Output 10
A10	DO_09	Output 9
B10	DO_08	Output 8
A11	DO_07	Output 7
B11	DO_06	Output 6
A12	DO_05	Output 5
B12	DO_04	Output 4
A13	DO_03	Output 3
B13	DO_02	Output 2
A14	DO_01	Output 1 (Shared with position agreement 'COIN' signal)
B14	DO_00	Output 0
A15	DI_15	Input 15
B15	DI_14	Input 14
A16	DI_13	Input 13
B16	DI_12	Input 12
A17	DI_11	Input 11
B17	DI_10	Input 10
A18	DI_09	Input 9
B18	DI_08	Input 8
A19	DI_07	Input 7
B19	DI_06	Input 6
A20	DI_05	Input 5
B20	DI_04	Input 4
A21	DI_03	Input 3
B21	DI_02	Input 2
A22	DI_01	Input 1 (Shared with pulse latch input)
B22	DI_00	Input 0
A23	DI_COM0	Input common 0
B23	DI_COM1	Input common 1
A24	FG	Frame ground
B24	FG	Frame ground

*TWISTED PAIRS
A1 - B1
A2 - B2
A3 - B3

REV	DESCRIPTION	EC #	DRAWN BY	DATE
1	UPDATE TB SILKSCREEN; REDRAWN	2548	Sonderman	6/9/10
0	INITIAL RELEASE	2010-570	-	-

MATERIAL: N/A	TOLERANCES / REFERENCES: UNLESS OTHERWISE SPECIFIED
SPEC: N/A	
FINISH: N/A	
MODEL(S): SEE CHART	
REF DWG(S): UDA00452 (0)	UNITS: mm SCALE: NTS



THIS DOCUMENT AND INFORMATION CONTAINED IN IT ARE CONFIDENTIAL, AND CANNOT BE COPIED OR DISCLOSED IN WHOLE OR IN PART WITHOUT THE EXPRESS WRITTEN CONSENT OF YASKAWA AMERICA INC.

DRAWN: E. SONDERMAN	DATE 5/14/10	TITLE: CBK-U-MP2A-xx TERMINAL
CHECKED: C. KINTNER	DATE 5/26/10	BLOCK & CABLE KIT INSTRUCTIONS
TECH: N. HOUCK	DATE 5/25/10	ITEM #: SEE CHART
APPROVED: M. MORAN	DATE 5/26/10	SIZE: B PAGE: 2 of 2
ORIGINAL DESIGN: -	DATE -	DRAWING #: UDA00675